

## **TFT-LCD Multimedia Player**



**CFD-105 / CFD-105M  
CFD-135 / CFD-135M**

### **NOTE**

**Please read this Owner's Manual carefully. Changes or modifications to the unit may void the warranty**

# Contents

<b>Caution</b> .....	2
<b>Product Controls and Functions</b> .....	4
-Unit .....	5
-Remote Control Diagram .....	6
<b>TFT Menu Setup</b> .....	7
1. Color .....	7
2. OSD .....	7
3. Function .....	7
4. Sound .....	7
<b>Setup Menu</b> .....	8
1. System Setup .....	8
2. Language Setup .....	9
3. Video Setup .....	10
<b>Screencast Setup Quick Guide: (Only for CFD-105M/CFD-135M)</b> .....	11
<b>Connection Diagram</b> .....	17
<b>Installation</b> .....	18
<b>Interchangeable Housing Change Diagram</b> .....	19
<b>Troubleshooting</b> .....	20
<b>Specifications</b> .....	21

## Specifications

### CFD-105 / CFD-105M

Screen Size	10.1" TFT LCD Panel
Power	DC12V
Consumption	10W
Screen Format	16:9
Resolution	1024(H)x600(V)xRGB
Color System	NTSC/PAL / Auto Selection
A/V Input	2
A/V Output	1
HD Input Resolution	UNDER 1080P
HD Input Refresh Frequency	50HZ/60HZ
Dimension	13.8"(W) X 6.7"(D) X 14.6"(H)

### CFD-135 / CFD-135M

Screen Size	13.3" TFT LCD Panel
Power	DC12V
Consumption	10W
Screen Format	16:9
Resolution	1366(H)x768(V)xRGB
Color System	NTSC/PAL / Auto Selection
A/V Input	2
A/V Output	1
HD Input Resolution	UNDER 1080P
HD Input Refresh Frequency	50HZ/60HZ
Dimension	16.2"(W) X 6.5"(D) X 18.1"(H)

## Caution

Please read and observe all warnings and instructions in this owner's manual and those marked on the unit. Retain this booklet for future reference.

There are two kinds of caution symbols as follows:



WARNING

This symbol is intended to alert the user on the presence of dangerous voltage within the product's enclosure that may cause electric shock to you.

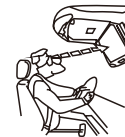


CAUTION

The exclamation point within an equilateral triangle is intended to direct attention to the presence of important operating and maintenance (servicing) instructions in the literature accompanying the product.



**WARNING**



Hazard! do not operate this unit unless vehicle is parked in safe and legal area.



Do not mount the product where it will obstruct the deployment of the airbag or in an area where it would affect the vehicular control. Also be careful to avoid mounting the product where it can become hazardous during sudden stops or in the event of an accident.



Do not try and service these products yourself. Seek only a qualified service center or factory service center.



Do not place any liquids near the monitor. If any liquid is spilled on the unit, pull over to the side of the road, turn the ignition completely off and



Be careful not to drop or apply pressure to the front panel of your video monitor. If the screen cracks due to misuse, your warranty will be void!

dry the product with a towel. Do not operate the equipment again until all liquids have either evaporated or you have the unit inspected by a qualified technician at your local authorized dealer.



Be careful not to overload your cigarette lighter plug by adding more than one device at a time.



Use only a damp cloth to clean the screen and use only purified water on the cloth, wring out all excess water prior to wiping the screen. Do not use any cleaners or chemicals to clean the screen. In most cases a dry cloth will do!

## Caution



### CAUTION



Quality installations are best performed by qualified and certified installers.



Watching the monitor for an extended period of time without the engine running may deplete the vehicle's battery, to the point where the engine can no longer be started.



Don't touch the unit if there is lightning as this may cause an electric shock to you.



This product is designed for operation with a 12 Volt DC, negative ground vehicle. It is not suitable for operation under other conditions or voltages.



Do not cover the heater ducts or vents as this may cause a fire or electric shock



Do not bring magnetic items such as credit cards and other cards with magnetic strips near the monitor as this may cause damage to the unit and/or magnetic item



### Check Point

1. The operating temperature of this product is limited to 14°F–120°F. Your vehicle can reach temperatures up to 175°F in the summer time.
2. From time to time when your vehicle is extremely hot or cold you must allow time for your air conditioner or heater to cool or heat the vehicle and for operating temperatures to return to normal operating ranges. Your monitor will return to its normal functions when these operating temperature are achieved.
3. Your optimum picture quality is achieved when you are directly in front of the monitor (+/-30 degrees).
4. Do not open covers and repair yourself. Refer servicing to qualified personnel.
5. Disc Players use an invisible laser beam which can cause hazardous radiation exposure. Be sure to operate the unit correctly as instructed.
6. Do not turn ignition off while a disc is playing. This can cause damage to the Disc Player.

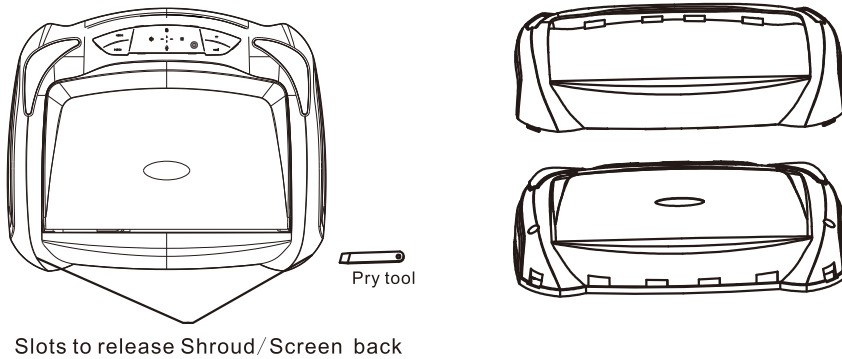
## Troubleshooting

Symptom	Items to check	Actions to be Taken
Button does not work	Is the power turned on?	Check the car battery capacity
No sound	Is the audio cable set to receive the Disc signal output?	Select the correct input mode for the audio receiver.
	Is the audio cable connected securely?	Connect the audio cable into the jacks securely. Turn on the monitor connected to the audio cable
	Is the monitor connected with the audio turned on ?	Set the Digital Audio Output to the correct position, and then turn on the Disc player by pressing the POWER button.
	Is the digital audio output set in the correct position?	
Remote control does not work properly.	Is the remote control facing the remote sensor?	Point the remote control to the remote sensor of the product.
	Is the distance too far?	Use the remote control within 10 ft.
	Is there any obstacle in the middle?	Remove the obstacle.
	Is the battery exhausted?	Replace with new batteries Check antenna connection.

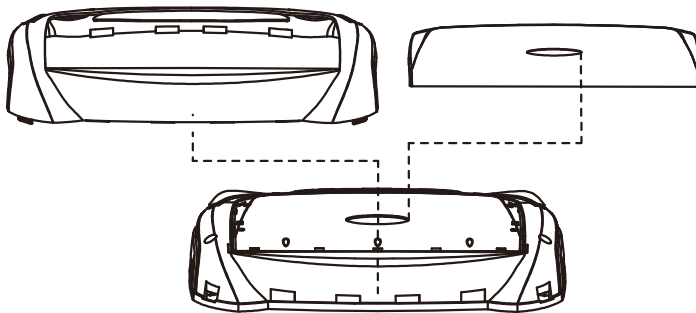
## Interchangeable Housing Change Diagram

### Removing Shroud/Screen back From The Housing

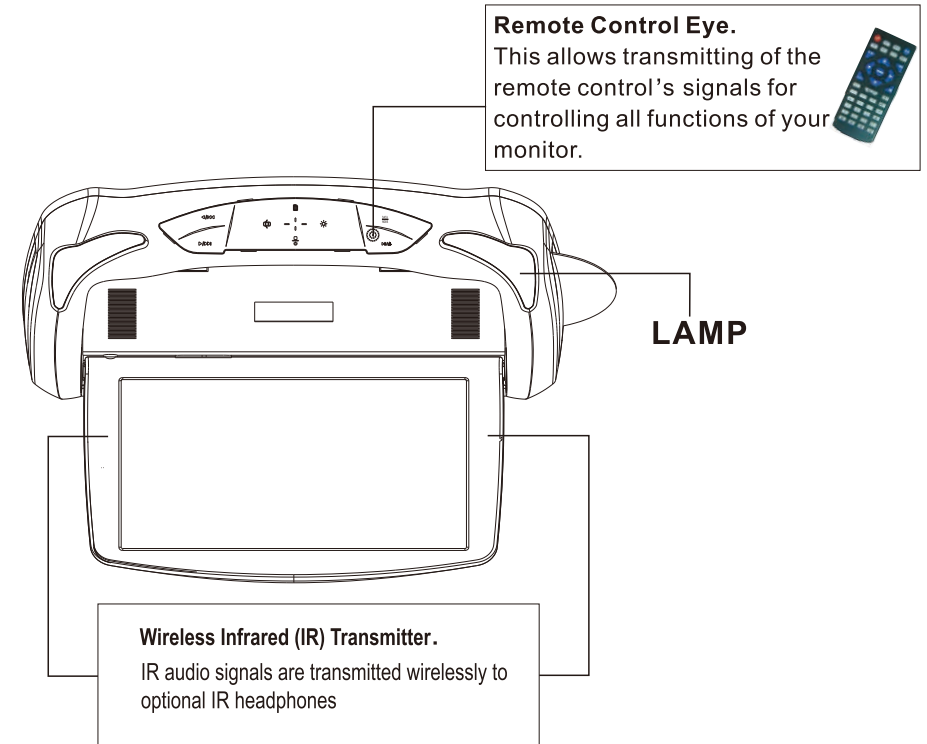
Work on a soft surface to avoid damaging the plastic.  
Insert the supplied pry tool between the Housing and Shroud/Screen back, then press the pry tool to release the Shroud/Screen back.



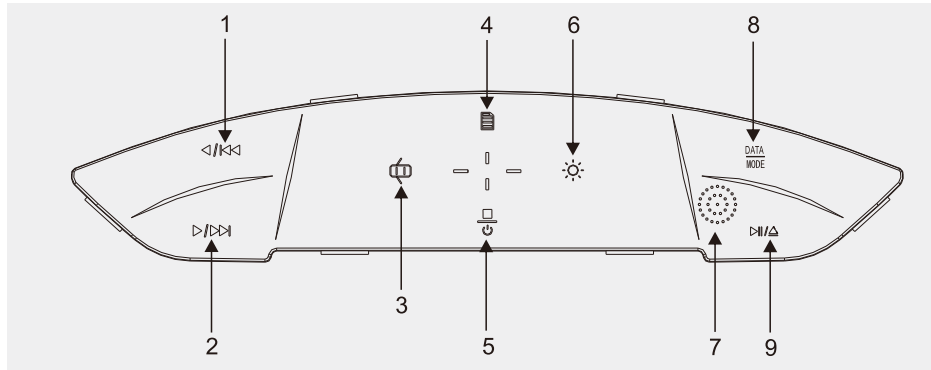
Begin by hooking the areas indicated below and press the Shroud/Screen back over the pod. The Shroud/Screen back will snap back in place.



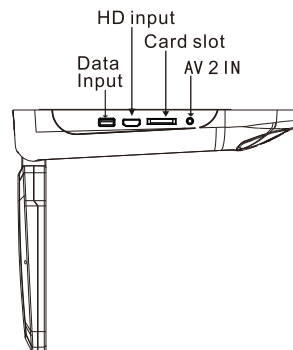
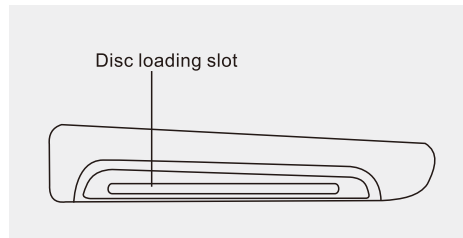
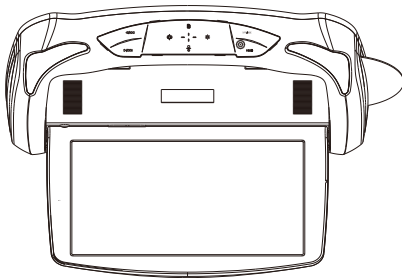
## Product Controls and Functions



## Product Controls and Functions



- |                           |                         |
|---------------------------|-------------------------|
| 1. FR/Previous chapter    | 2. FF/Next chapter      |
| 3. Door trigger operation | 4. Menu                 |
| 5. Stop/Power             | 6. Dome light operation |
| 7. Remote eye             | 8. Mode selection       |
| 9. Play/Pause/Eject       |                         |

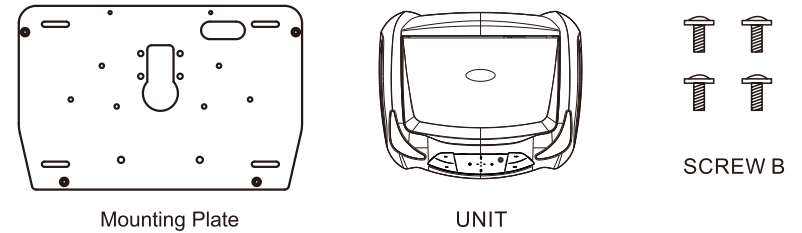


### \*Caution

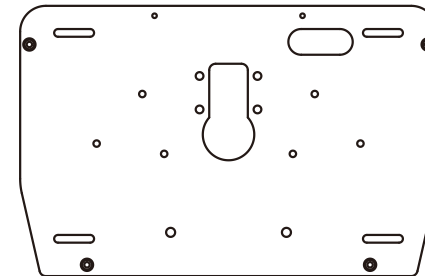
Do not bring magnetic items such as credit cards or other cards with magnetic strips near the monitor as this may cause damage to the unit and/or magnetic item.

## Installation

1. Open the box and check the contents.

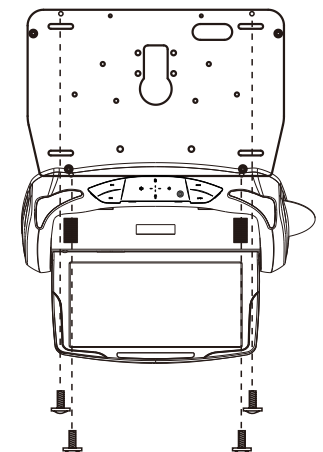


2. Align mounting plate with installation position and secure plate with screws

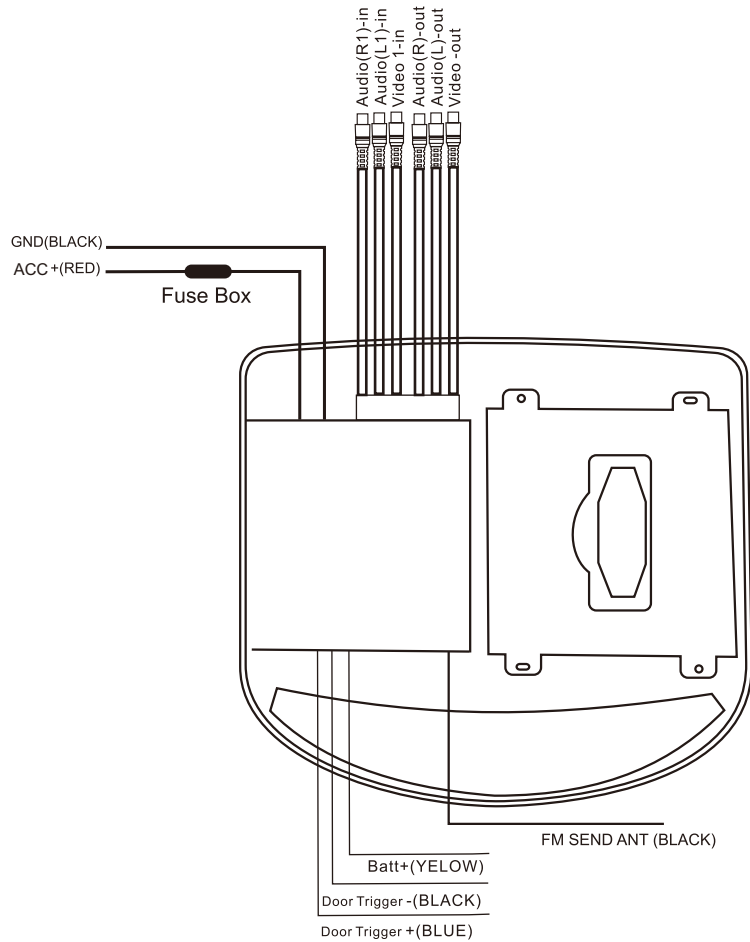


Use the correct screws that matches the car.

3. Tighten the unit with the supplied SCREW B.



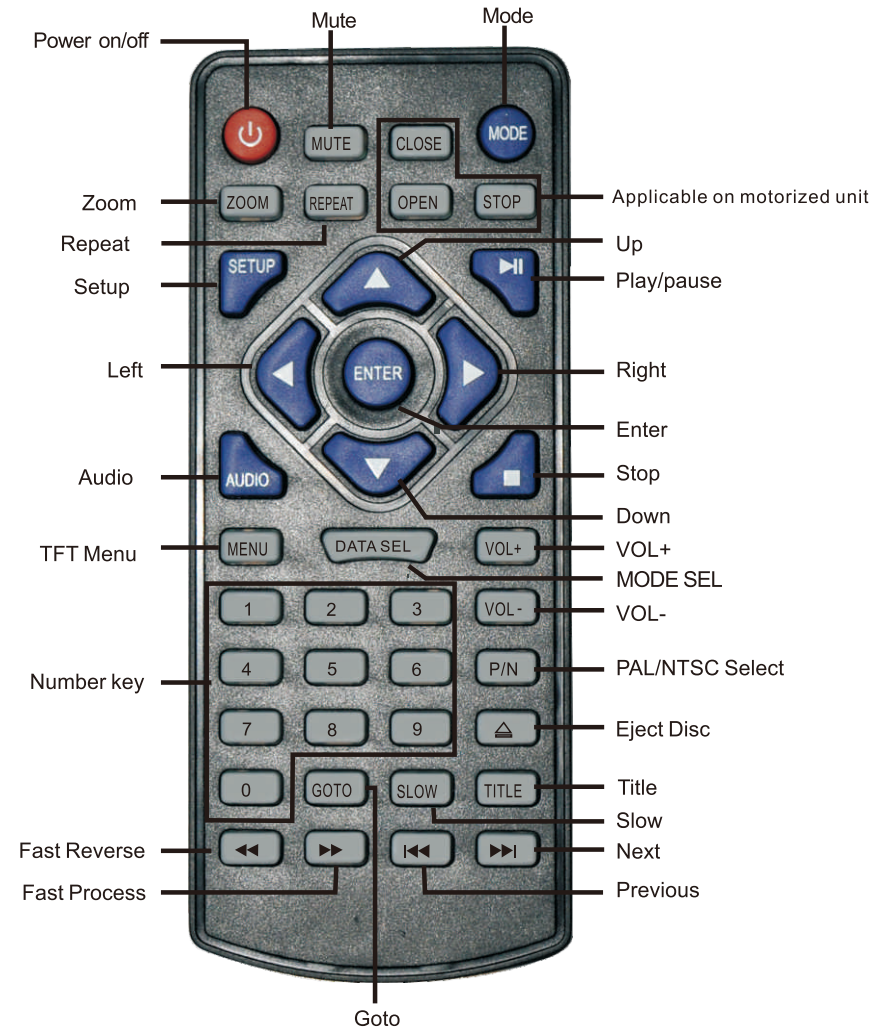
## Connection Diagram



### \*How to connect the DOOR TRIGGER wire

1. Connect yellow positive (+) wire
2. Check your vehicle's door trigger is positive "+" or negative "-"
3. Connect unit's door trigger wire (positive "+" or negative "-") with vehicle's door trigger accordingly

## Remote Control Diagram



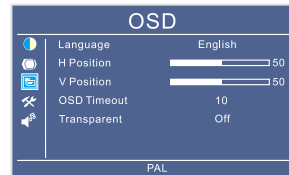
## TFT Menu Setup

### 1. Color



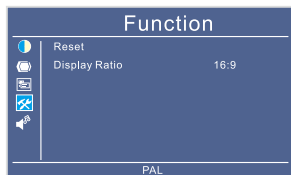
Brightness/Contrast/Saturation

### 2. OSD



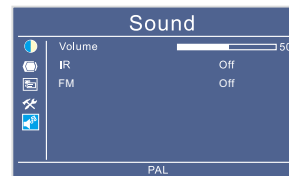
Language/H Position/V Position/  
OSD Timeout/Transparent

### 3. Function



**Reset:** Return to factory settings  
**Scale:** Screen display 16:9 and 4:3

### 4. Sound



**Volume:** Speakers Volume range 1-100  
(The built-in speakers operate only when  
the FM and IR is turned off)  
**IR:** Dual channels(A or B) can be selected  
or turned off

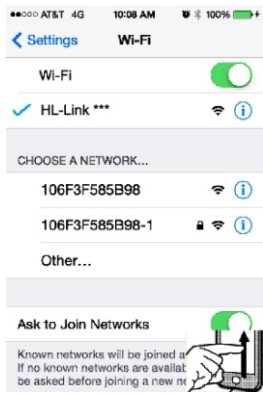
## ScreenCast Setup Quick Guide: (Only for CFD-105M/CFD-135M)

Note: Concept ScreenCast products are compatible with Android 4.2 and up as well as Apple iOS7 and up. This serves as a general guide only. All of the steps above will vary depending on the exact phone that you have. Please refer to the phone's user manual as an additional resource.

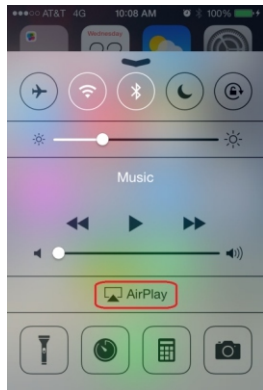


## ScreenCast Setup Quick Guide: (Only for CFD-105M/CFD-135M)

16. Slide your finger from the bottom of the screen up as shown below towards the bottom right.



17. Tap on "AirPlay" towards the bottom.



18. You are now connected and your display will be mirrored over to your larger LCD display.



## Setup Menu

Press the SETUP button to enter the SETUP MENU as shown below.

Inside the Player SETUP MENU, three categories SYSTEM, LANGUAGE, and VIDEO can be chosen.

Users can adjust or choose different options included in the disc that is playing.

### 1. SYSTEM SETUP

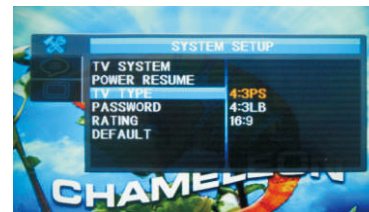
#### A. TV SYSTEM



#### B. POWER RESUME



#### C. TV TYPE



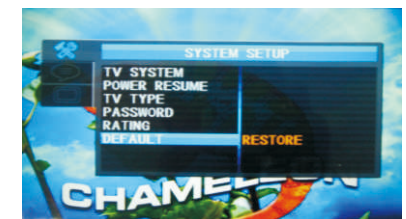
#### D. PASSWORD (0000)



#### E. RATING



#### F. DEFAULT



# Setup Menu

## 2. LANGUAGE SETUP

### A. OSD LANGUAGE



### B. AUDIO LANG



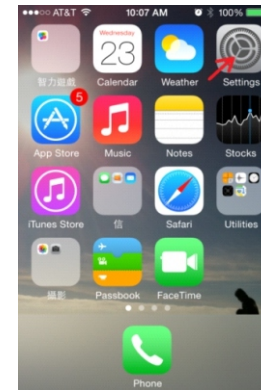
### C. SUBTITLE LANG



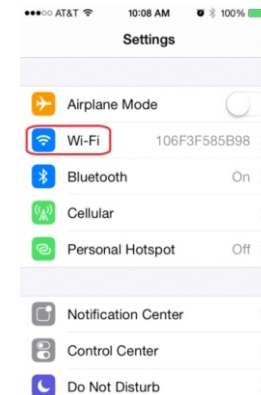
### D. MENU LANG



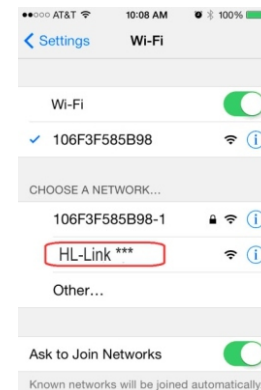
# ScreenCast Setup Quick Guide: (Only for CFD-105M/CFD-135M)



14. Tap on "Wi-Fi".

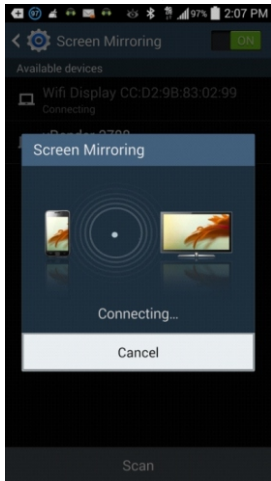


15. Look for "HL-Link \*\*\*" as shown on the screen and select it.



## ScreenCast Setup Quick Guide: (Only for CFD-105M/CFD-135M)

10. The following screens will appear as the devices proceed to connect:



11. Once you see the screens below, you have successfully connected.



12. You can now listen and view all content displayed on your Android device on your new larger LCD display as well.

13. For iPhone, Tap on "Settings" on your iPhone.

## Setup Menu

### 3. VIDEO SETUP

#### A. BRIGHTNESS



#### B. CONTRAST



#### C. HUE



#### D. SATURATION



#### E. SHARPNESS



## ScreenCast Setup Quick Guide: (Only for CFD-105M/CFD-135M)

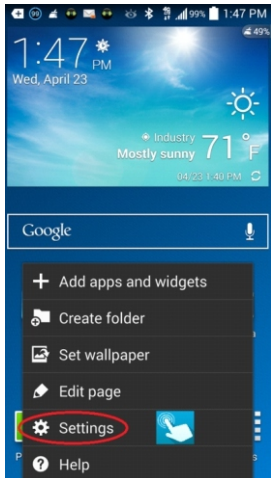
1. Press "Power" button to power on unit.



2. Press "DATA/MODE" until "WiFi DISP" appears at top left of screen.
3. As this boots up, you will see "WiFi Display Dongle" come on the screen.
4. Wait until screen below appears:

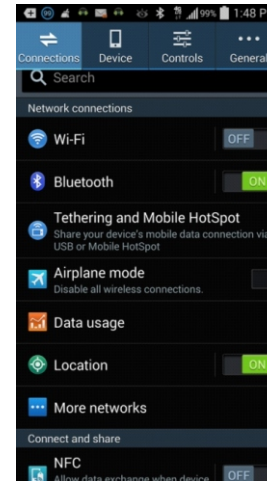


5. For iPhone, skip to step 13.
6. For Android devices, go to your phone settings:

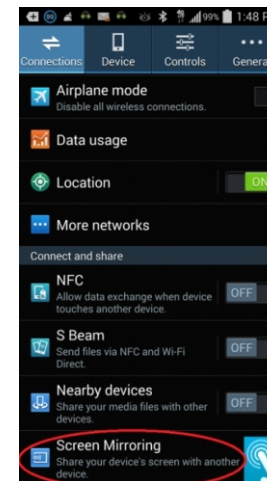


## ScreenCast Setup Quick Guide: (Only for CFD-105M/CFD-135M)

7. Select the "Connections" tab at the top.



8. Scroll to the bottom and tap on "Screen Mirroring".  
**Note: The term used for "Screen Mirroring" as well as the steps to get to this setting may vary from phone to phone. Please refer to your smartphone's user manual, if necessary.**



9. Look for the device with the matching address and tap on it.

